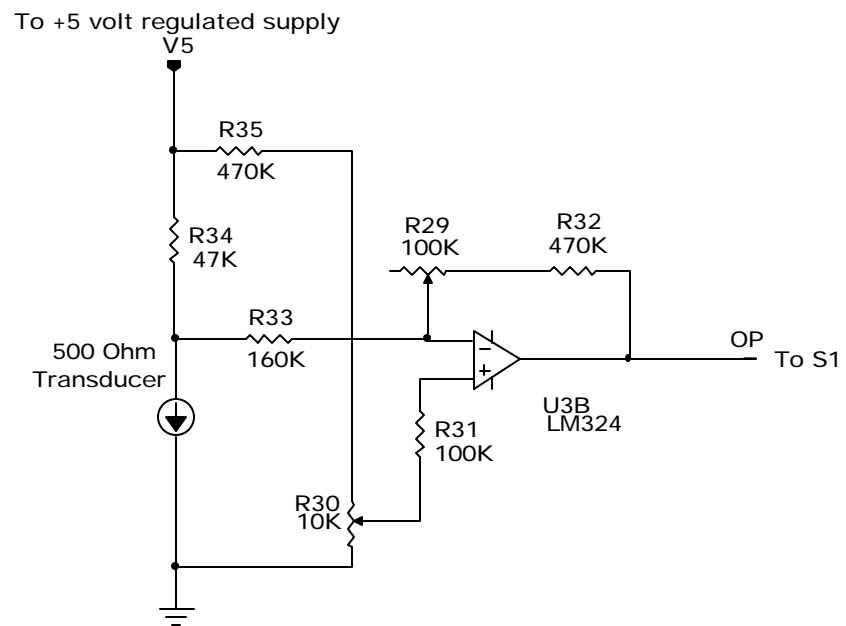
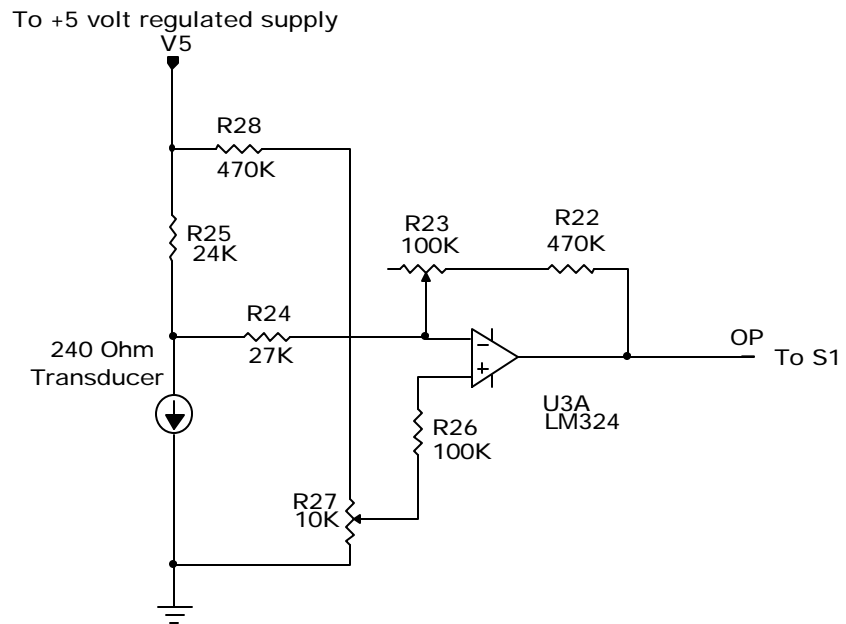


- Notes:
1. R4 is 240 ohms for 28 volt electrical system
  2. Connect pins 12, 13, or 14 to /backplane/ pin 9 to illuminate the corresponding decimal point.

Kitplanes Feb '02	
Rev A	ID KEM (Kitplanes Engine Monitor)
Date: 4 Nov 01	Page: 1 of 2



1

Kitplanes Feb '02	
Rev A	ID KEM (Kitplanes Engine Monitor)
Date: 4 Nov 01	Page: 2 of 2